

PHILIPS

sense and simplicity

BN 021 SmartBrite Batten(2ft)



Sisesh Behuray & Nitin Bahl
Jan 2017



PHILIPS

Smart Bright Batten

> 50%
energy
saving



Product Highlights

- High performance LED batten equivalent to a T8/18W or T5/14W fluorescent batten.
- System efficacy >110 lm/W, up to 50% energy saving with same lighting level.
- Slim Integrated design, easy to install.
- Good color uniformity and color rendering (CRI>80).
- Reliable and robust housing structure, maximize the endurance over the life time.
- Suitable for ceiling, wall and suspension mounting(conduit).



Reliable Savings, lasting brightness
High performance in a robust and compact design

Features and Benefits

Use with peace of mind

- Suitable for Surface mounted / Suspension
- 1150 Lumen @ 10 W
- Efficacy : >110 Lm/W
- CRI >80
- Point to point replacement for 1x14W TL5, 1x18W T8 & 1x20W T12 Lamp
- PF : >.9
- THD : <20 %



Long-lasting performance

- Designed for energy savings of up to 50% compared with conventional lighting
- L70B50 25k hours*
- **Designed to sustain 70% of initial lumen output (L70) at 25,000 hours of lifetime*

High-quality materials and design

- Extruded aluminum housing enhances safety
- High quality PC Diffuser

Wide selection

- Choice of color temperature – Cool white (6500K), Neutral (4000K)

PHILIPS

Applications

1. Small Retail Outlets
2. Institutions & Classrooms
3. In shop lighting
4. Staircases
5. Schools & Colleges
6. Small offices
7. Community centers/ Clubs
8. SPA Saloons



PHILIPS

Conventional Comparison



T5 batten vs BN 021

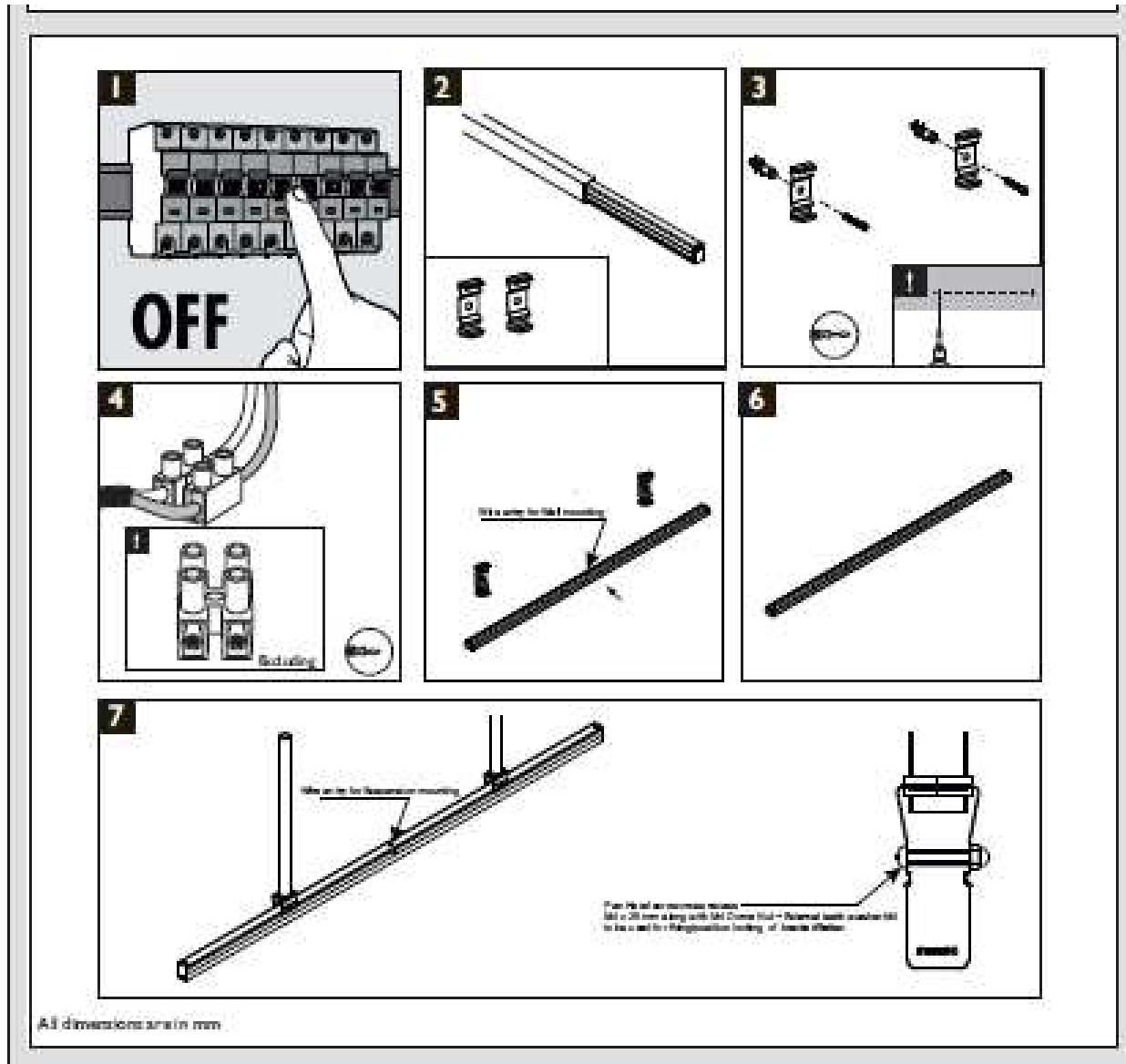
Parameter	1 x 14W Batten	BN 021
Lamp	TL5 14W 850	LED 6500K
Lamp Lumen	1200	
Downward LOR (DLOR)	80%	100%
Effective Lumens	960	1150
System Wattage	15	10
Savings		50%

T8 batten vs 021

Parameter	1 x 18W Batten	BN 021
Lamp	TLD 18W 850	LED 65000
Lamp Lumen	1350	
Downward LOR (DLOR)	80%	100%
Effective Lumens	1080	1150
System Wattage	20	10
Savings		100%

Parameter	BN 021 -1000 Lumen
lumen output	1150 Lm
system wattage	10 W
efficacy	>110
CCT	4000K / 6500K
CRI	>80
Mounting	Wall/Surface/Suspension
Housing	Aluminum Extrusion
IP	IP 20
Control	Not Applicable
Luminaire compliance	Relevant LED IS standards
Life	L70B50 25k
Operating temperature	Upto 45 deg C
T ambient (Max)	45 deg C
PF	> 0.9
THD	< 20 %
Input voltage range	140V - 270V AC
SDCM	< 5
diffuser	PC
Dimensions	603mm X 22mm X 36mm
Serviceability	Class C – Non Replaceable Driver

PHILIPS MI Sheet



All dimensions are in mm

220V 240V		IP 20		ta 45°
--------------	--	-------	--	-----------



Ordering Data

12 NC	Product Description	Qty. per Box
919515811673	BN 021 LED10S- 6500 PSU GR S1	20
919515811875	BN 021 LED10S- 4000 PSU GR S1	20

PHILIPS

